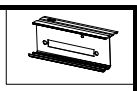
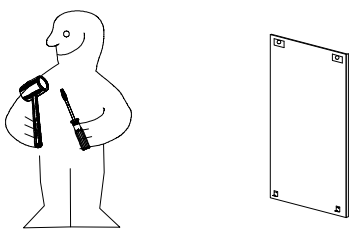


980799

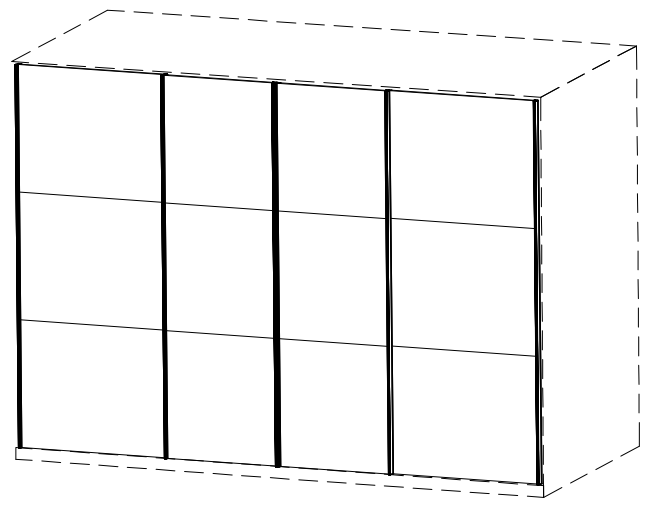
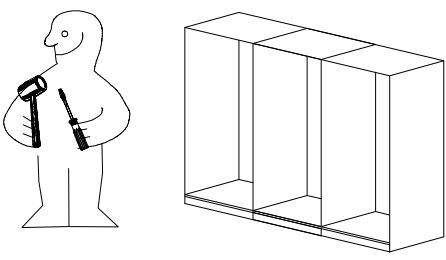
1.



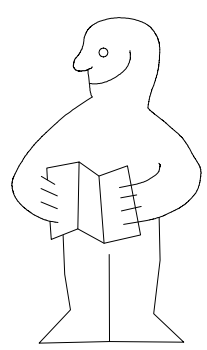
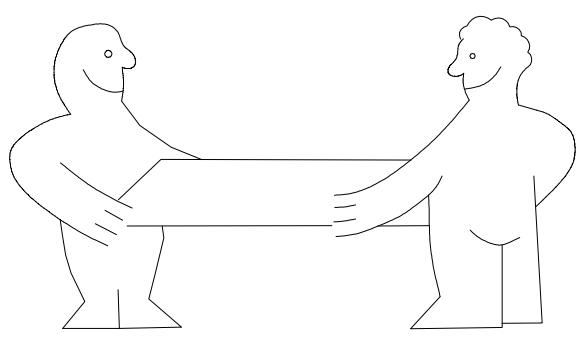
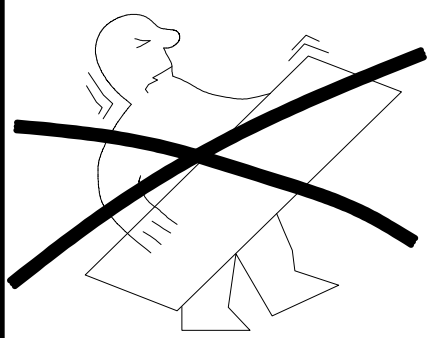
1.



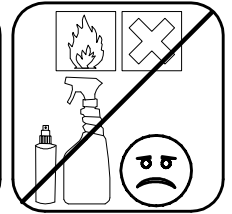
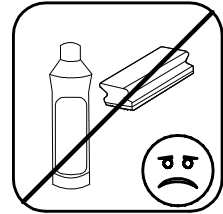
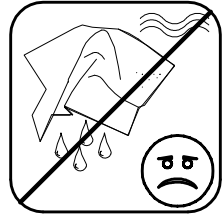
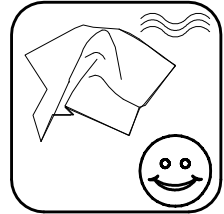
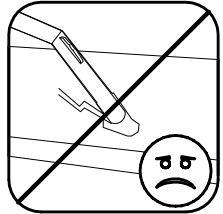
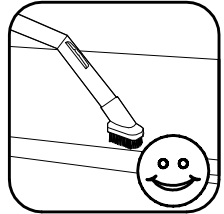
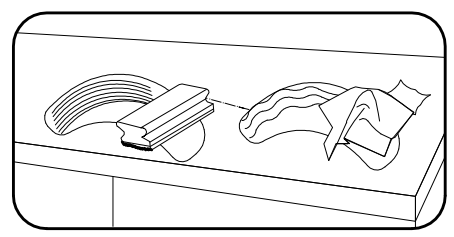
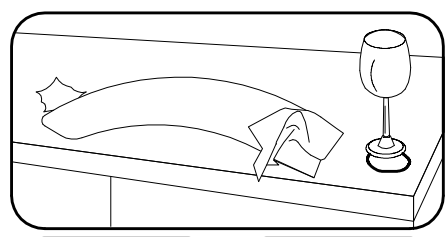
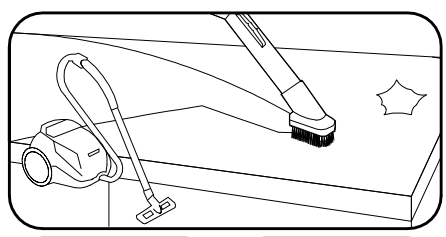
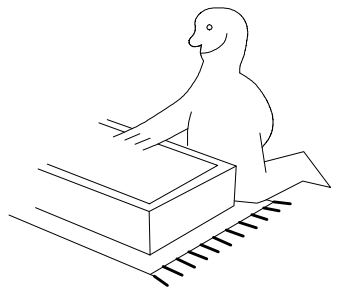
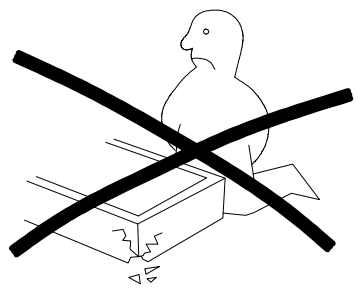
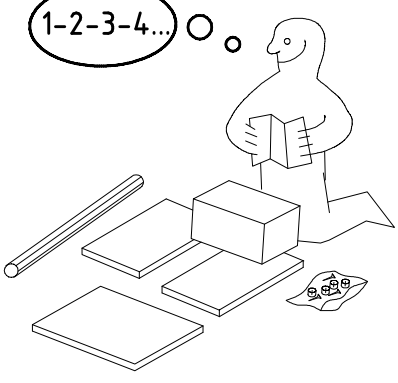
2.



350 SKLD Syncro NG



1-2-3-4... ○

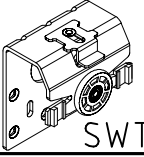
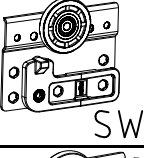
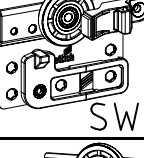
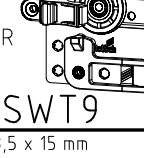
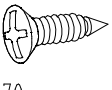


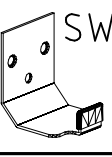
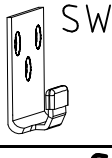
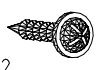
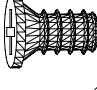
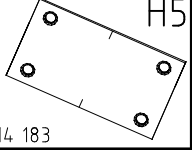
980799

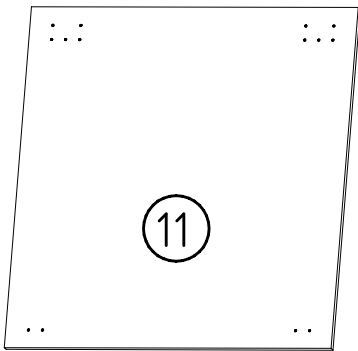
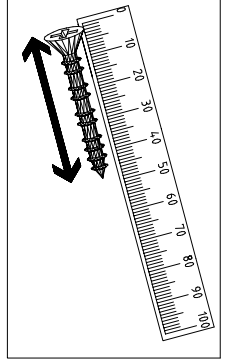
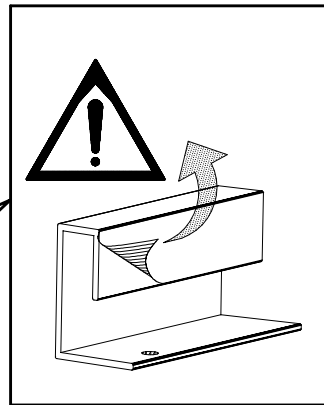
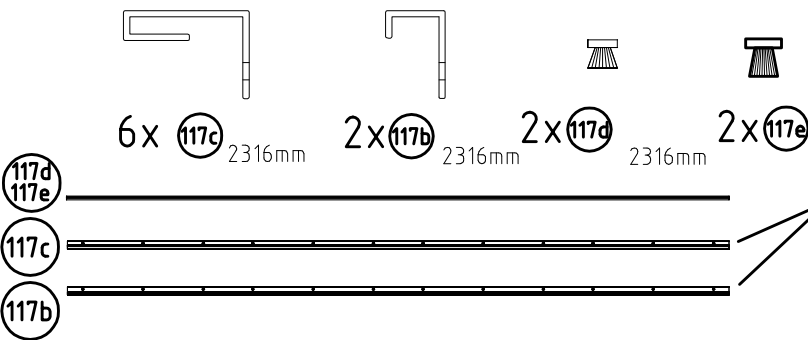
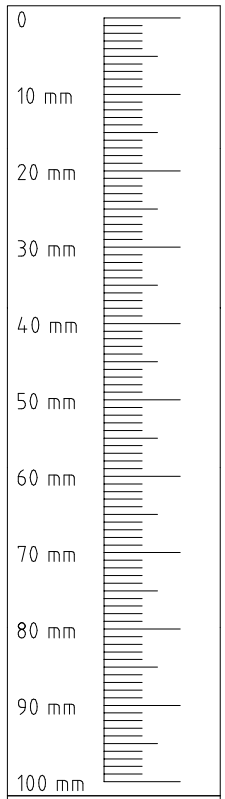
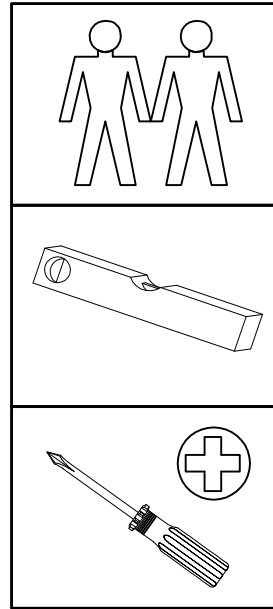
25.10.15 / -

10 15

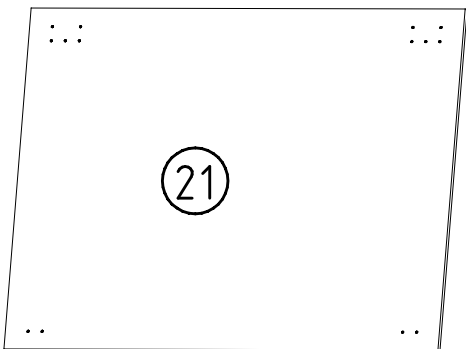
1/8

 SWT 1	4x
 SWT 2	2x
 SWT 8	1x
 SWT 9	1x
 G1	2x

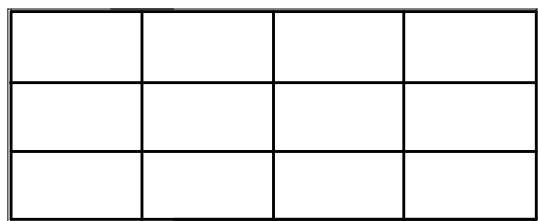
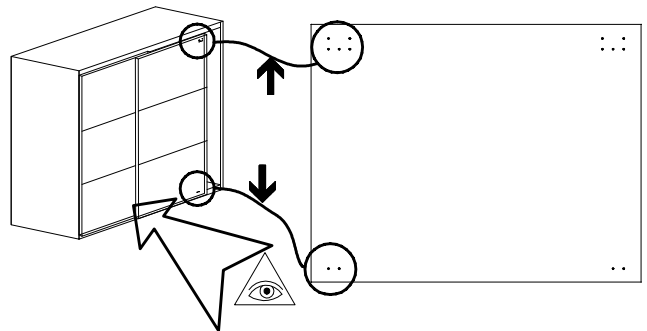
 SWH 6	4x
 SWH 7	4x
 SP13 4 X 13mm	136x
 T2 6,3 x 10,5 mm	48x
 H5	8x



6x 745x 772 x 15

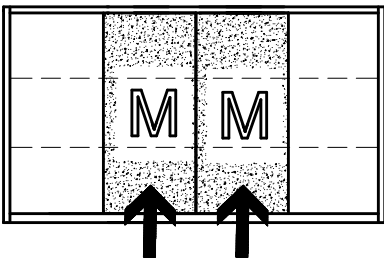


6x 990x 772 x 15

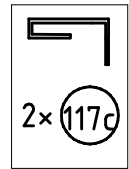
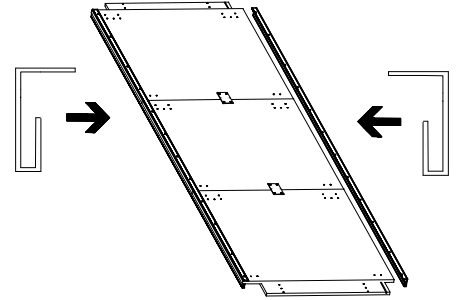
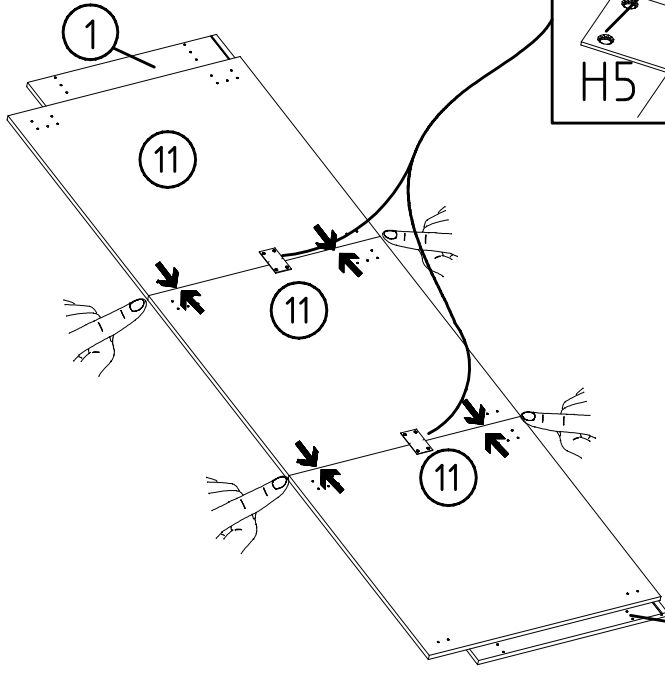
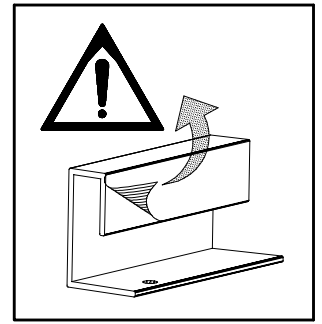
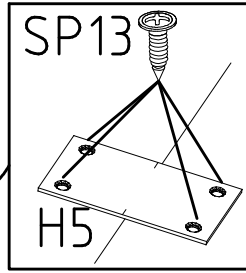


L M M R

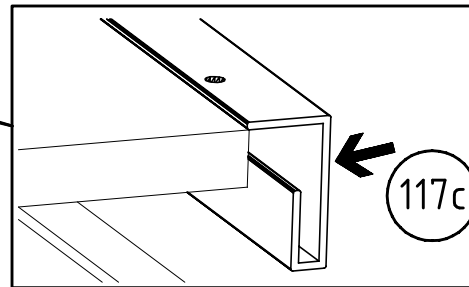
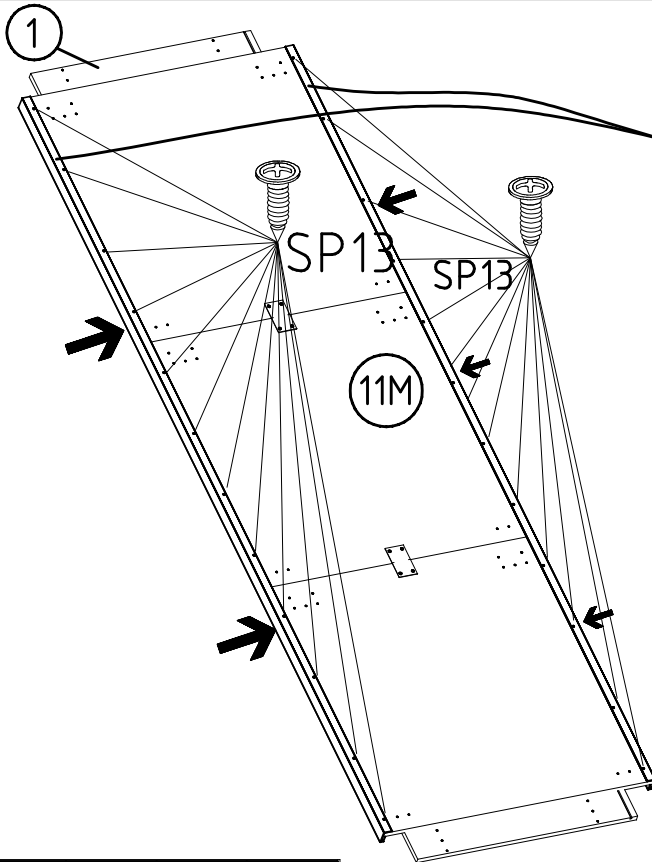
1



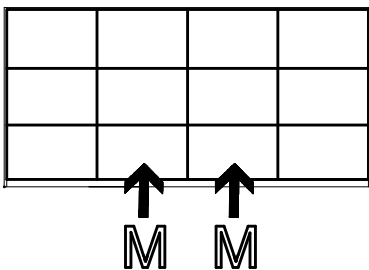
114 183	H5	4 X 13mm	SP13		121 122	



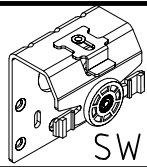
2



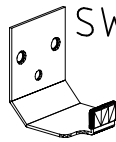
121 122	4 X 13mm	SP13	



3



SWT 1



SWH 6

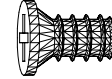
4 X 13mm

SP13

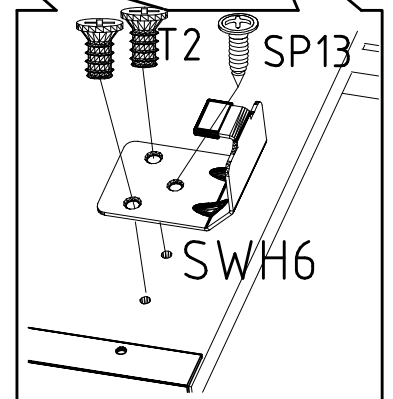
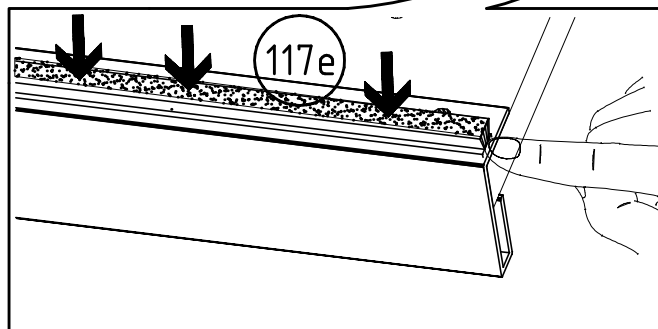
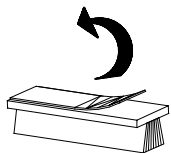
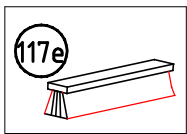
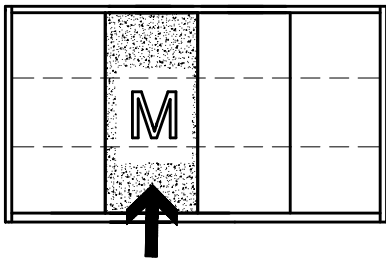
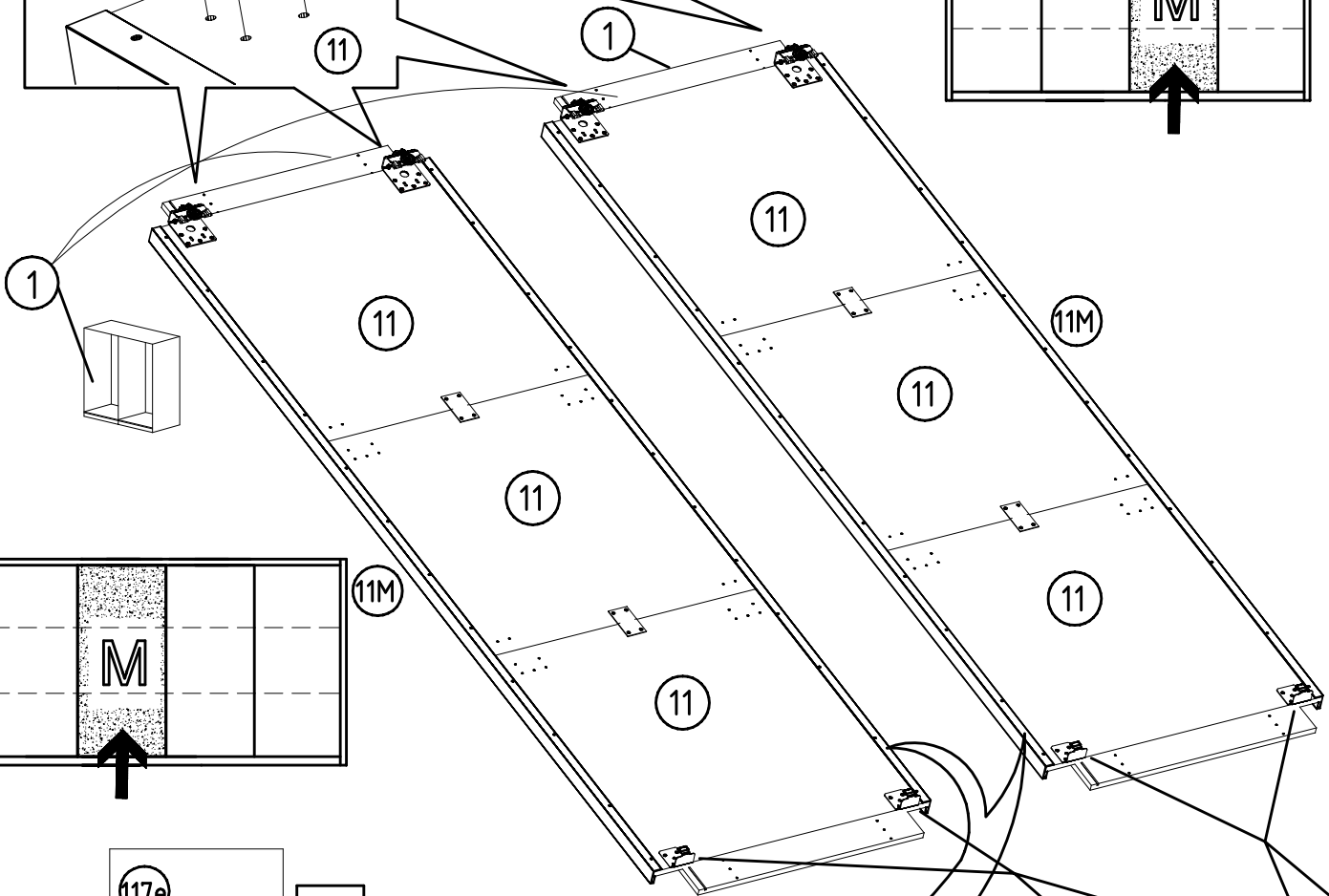
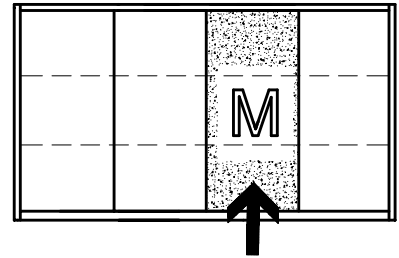
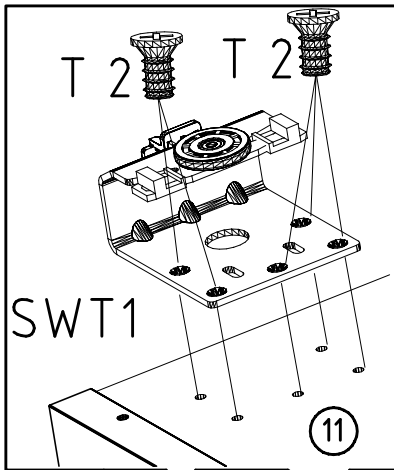
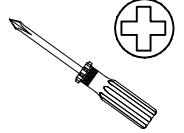
6,3 x 10,5 mm T2



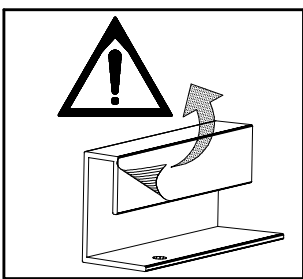
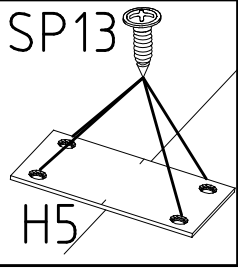
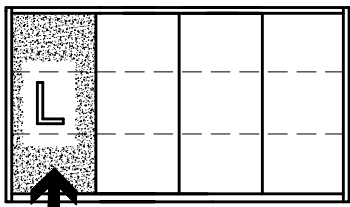
121 122


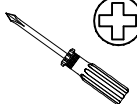


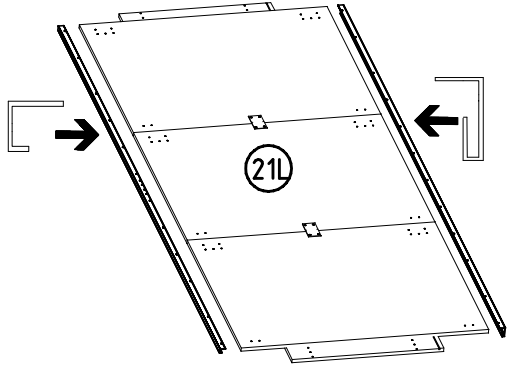
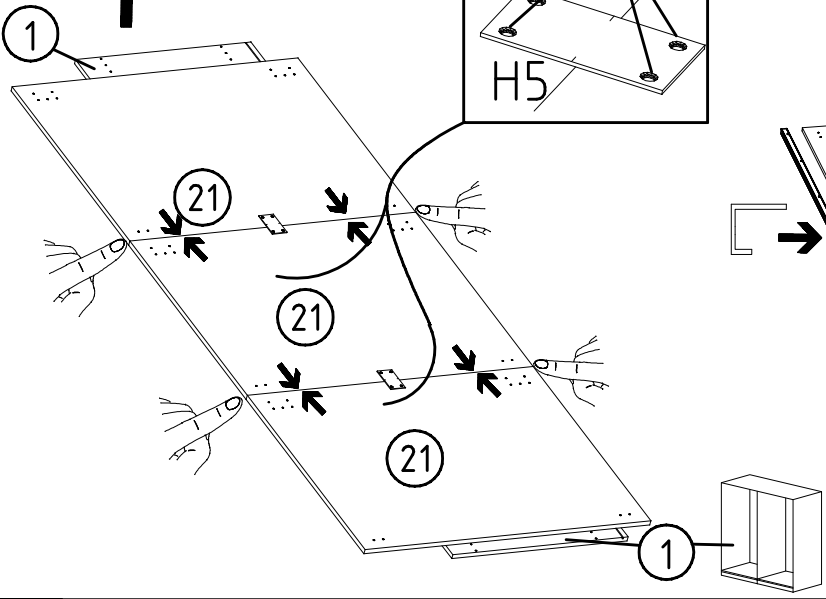
111 030

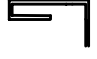



4


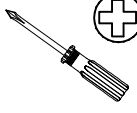


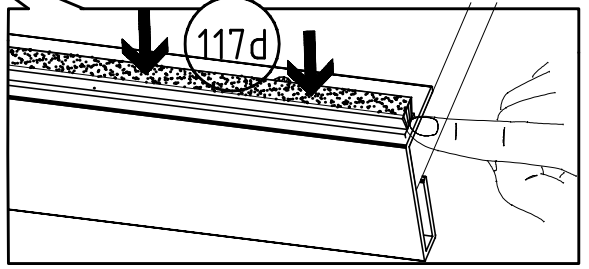
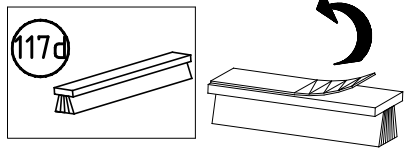
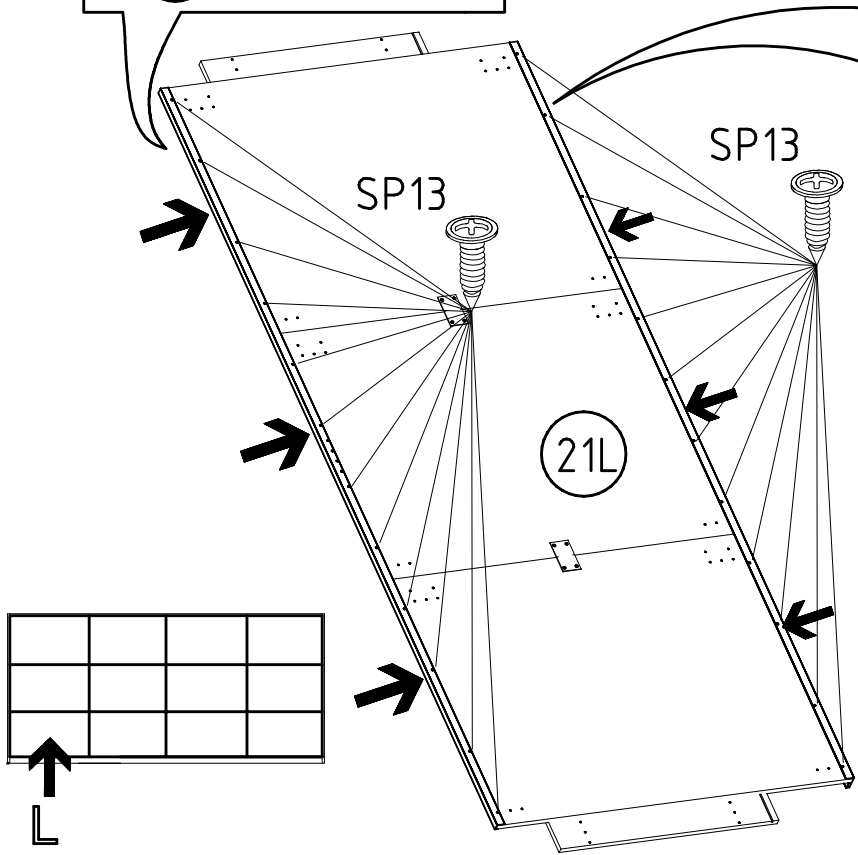
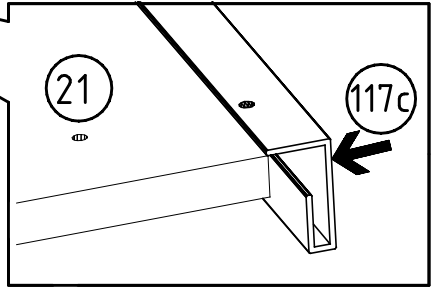
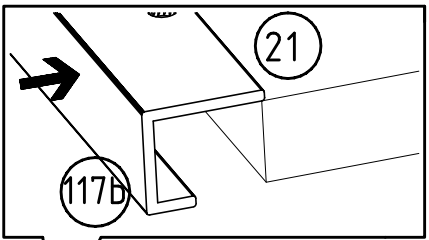
H5 4 X 13mm SP13  
 114 183 121 122  
  




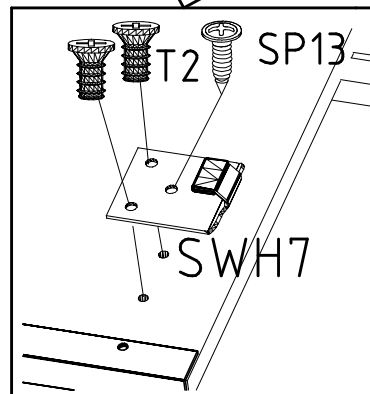
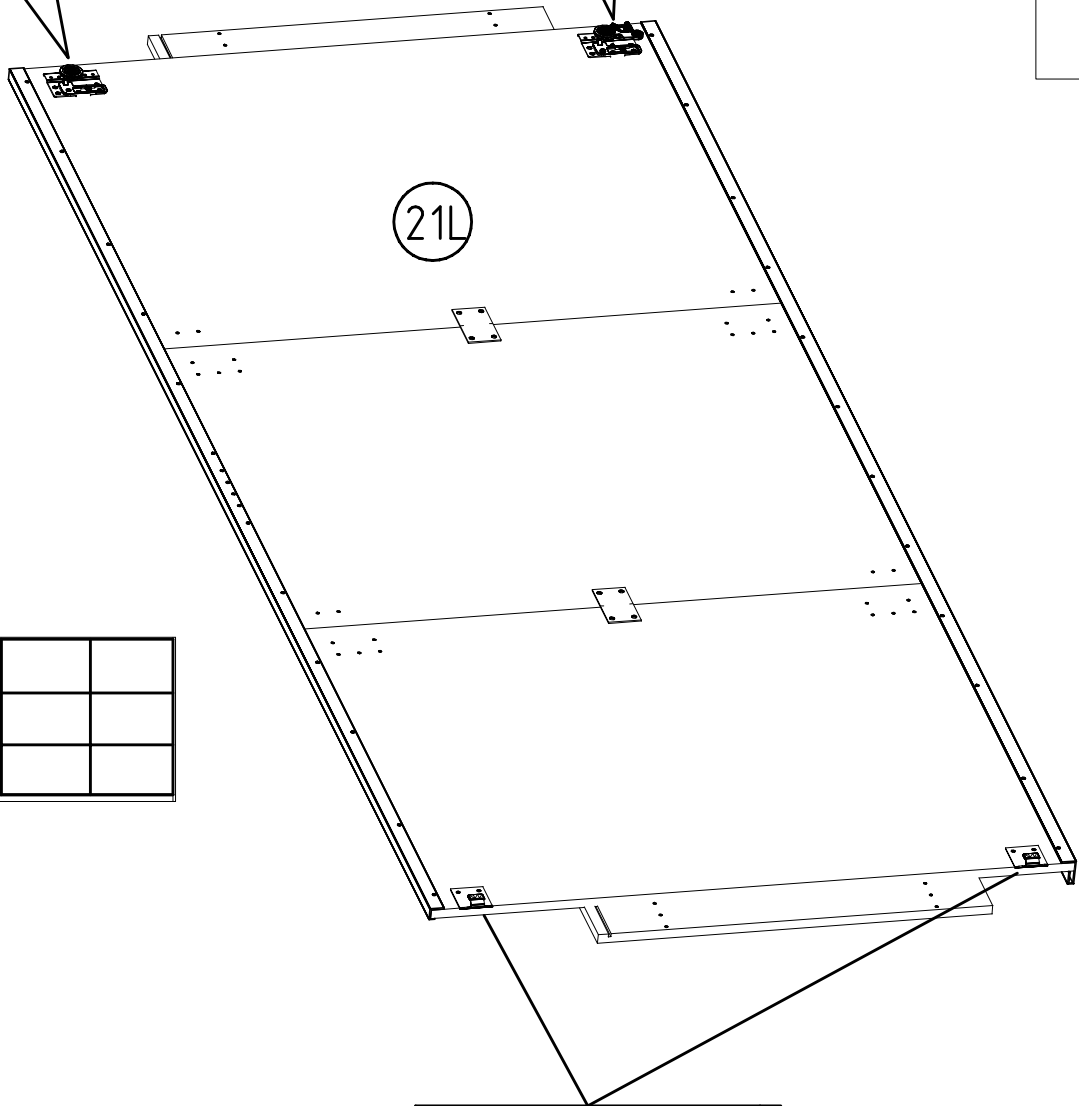
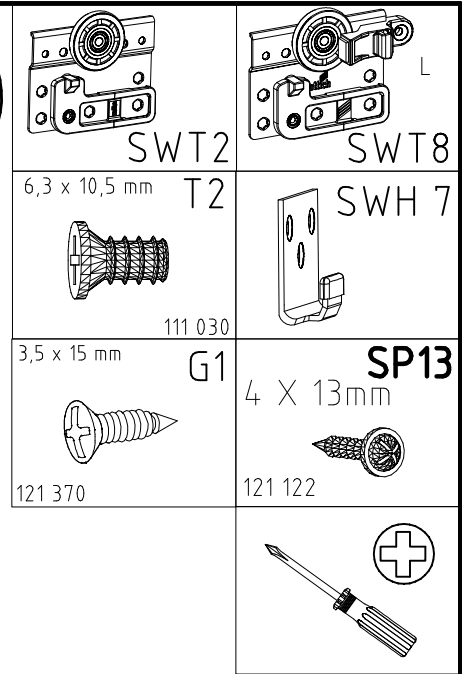
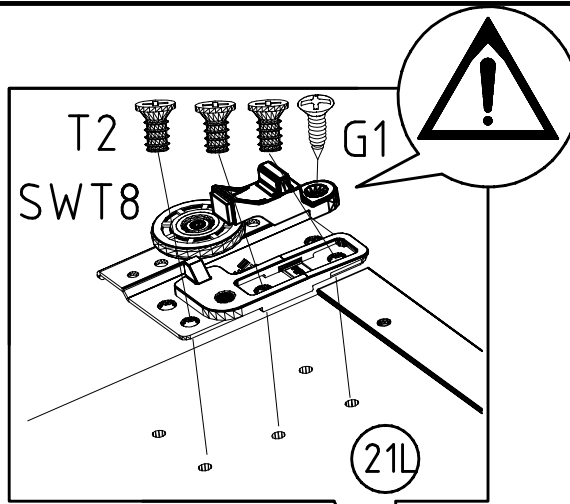
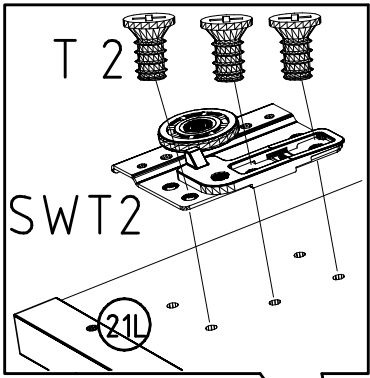
1x 117c 1x 117b  
  


5

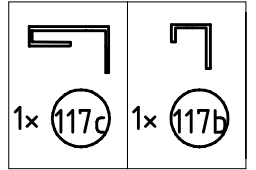
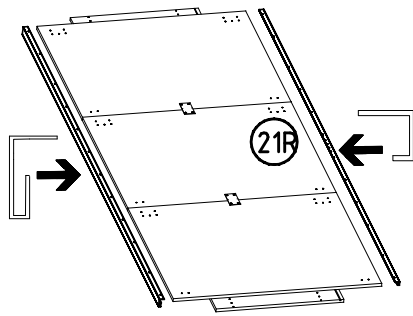
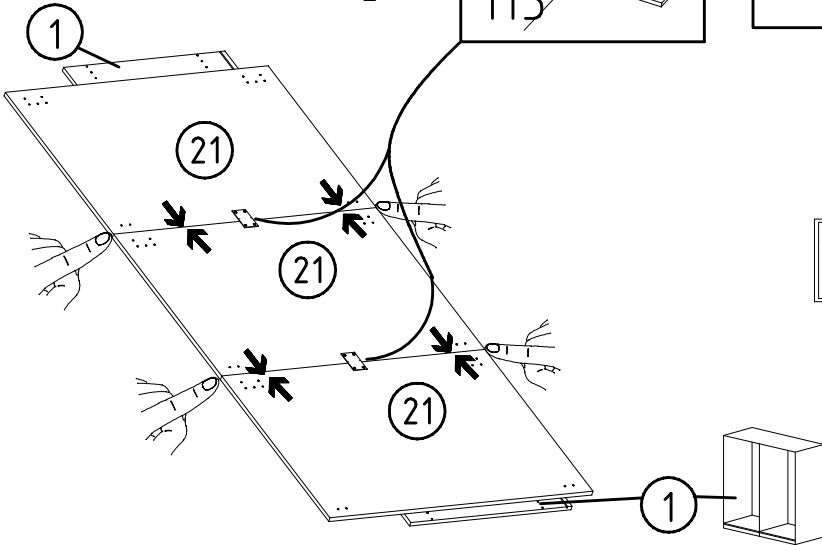
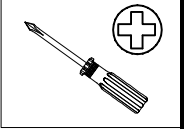
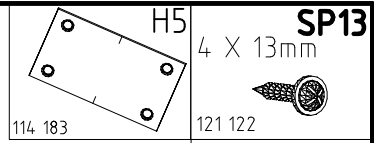
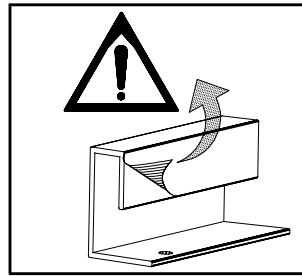
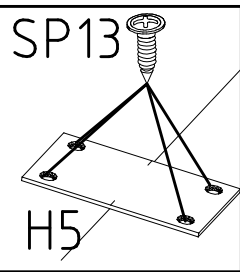
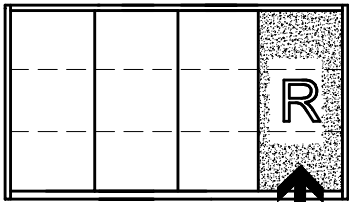
4 X 13mm SP13  
 121 122  
  




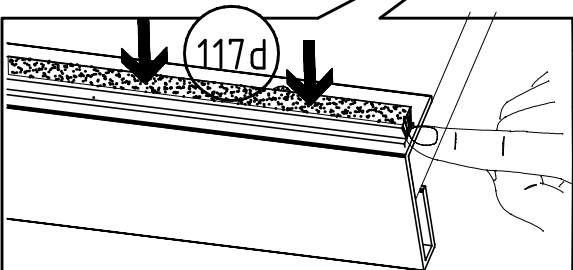
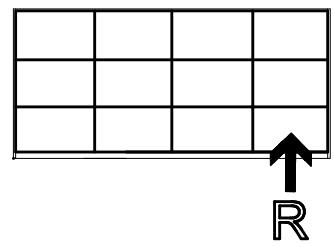
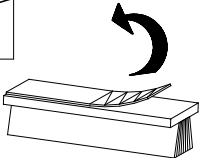
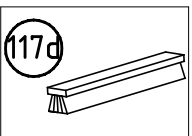
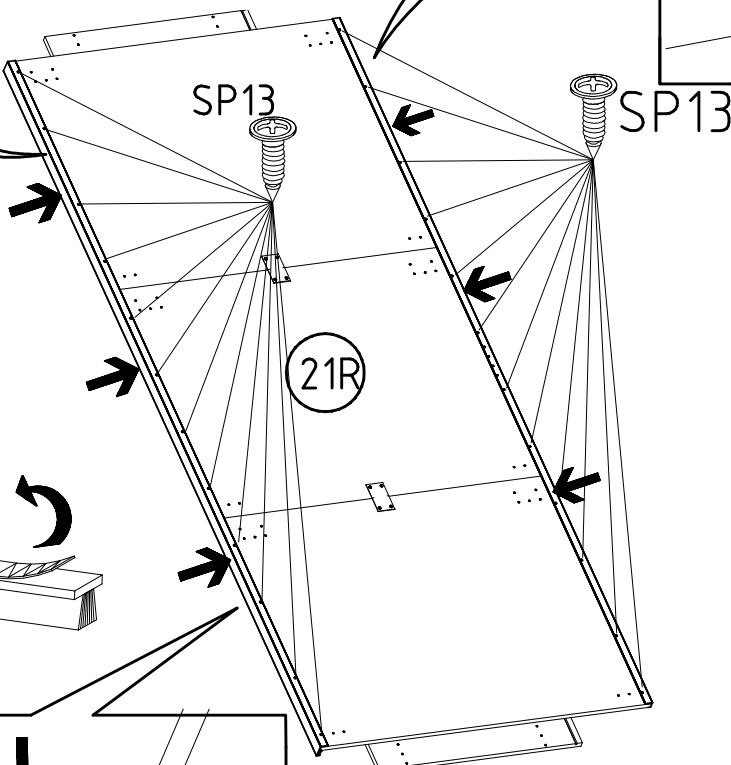
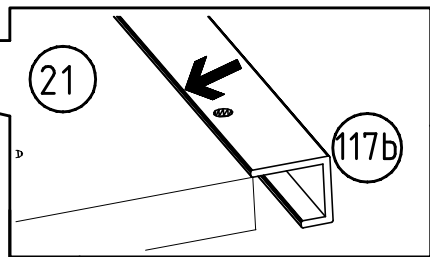
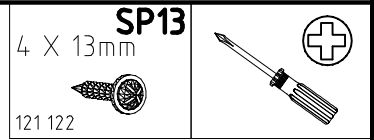
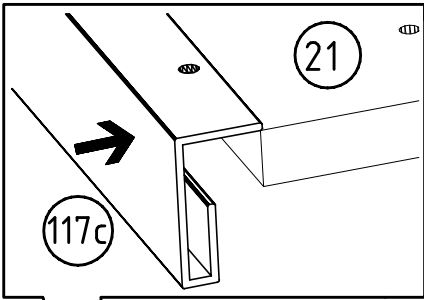
6



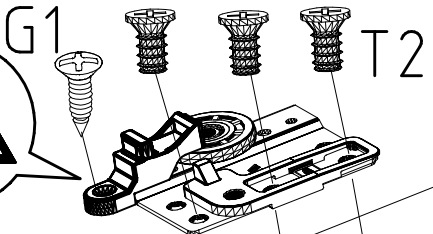
7



8



9



SWT9

11R

